

WDI Architecture

Major Components

- WordPress Project Page <https://newmexicowaterdata.org>
- CKAN - WDI “Data lake” <https://catalog.newmexicowaterdata.org>
- SensorThings Instances
 - NMBG <https://st.newmexicowaterdata.org>
 - OSE <https://ose.newmexicowaterdata.org>
 - more agencies TBD
- Online Documentation

WDI Pipeline

Tale of Two options

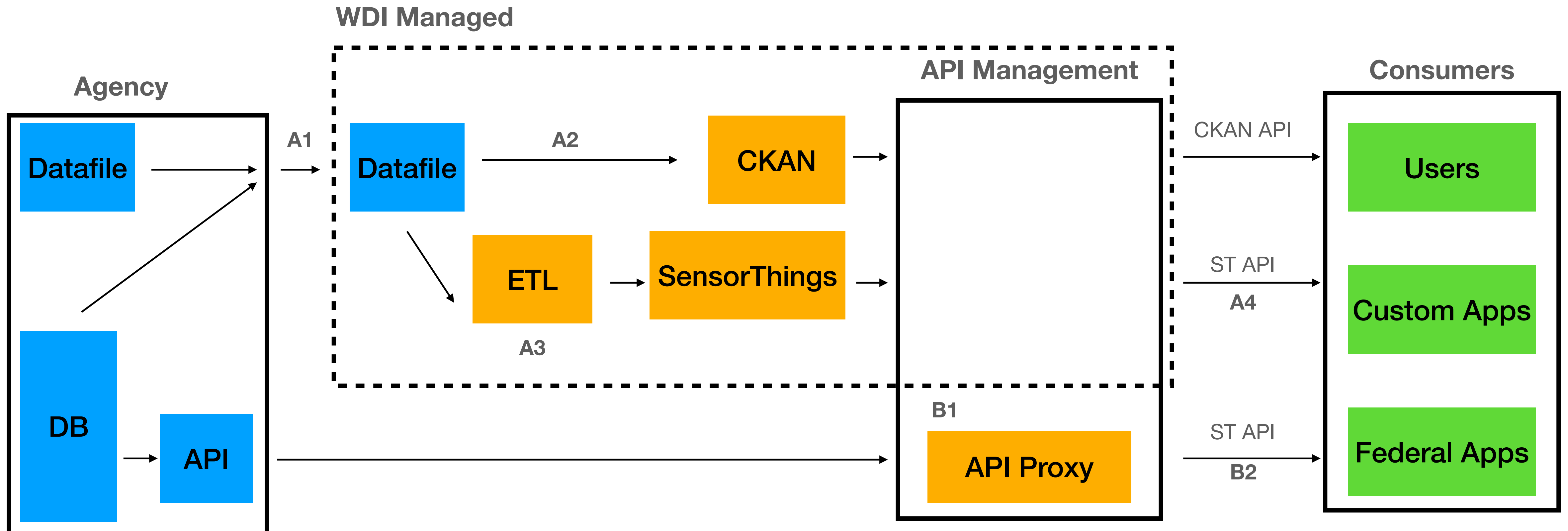
Options

A. Data not served via API

1. Agency provides WDI with a datafile. eg. csv, xls, etc
2. Datafile added to CKAN catalog/“data lake”
3. Datafile is Extracted, Transformed, and Loaded into a SensorThings instance. Accomplished with in-house developed scripts.
4. Users access standardized data via ST API

B. Agency serves data via a custom API

1. API is proxied to SensorThings on-the-fly by API management platform
2. Users access standardized data via ST API

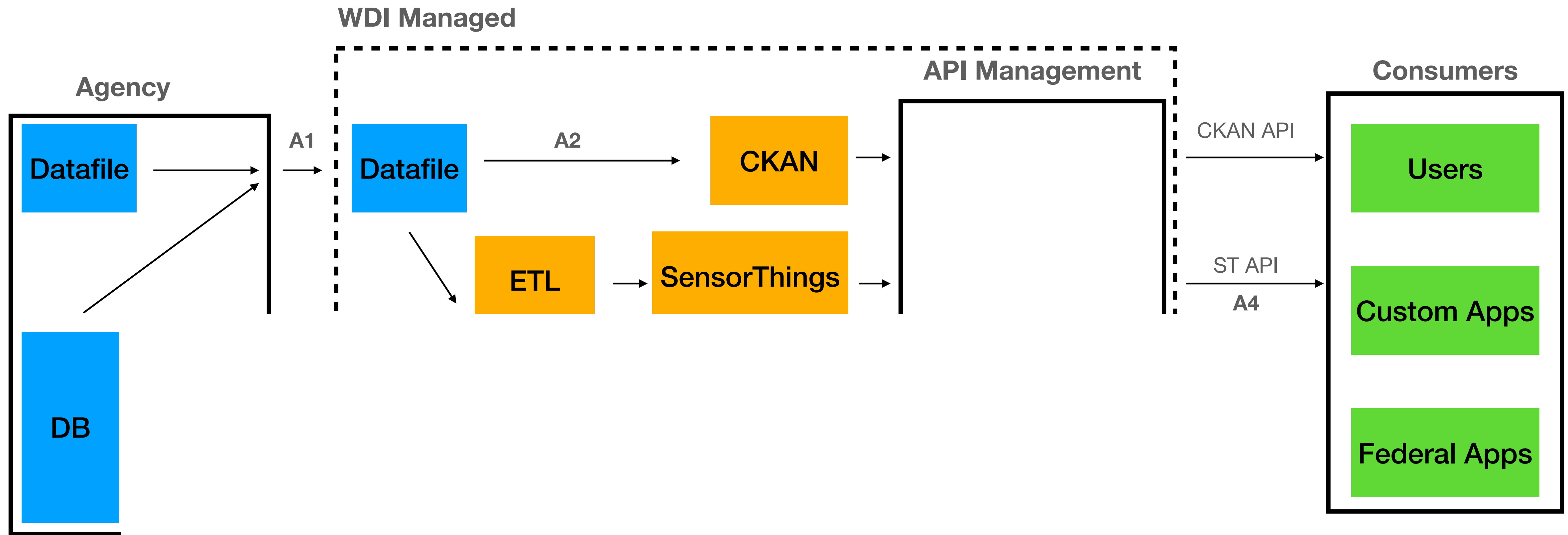


WDI Pipeline

Option A

A. Data not served via API

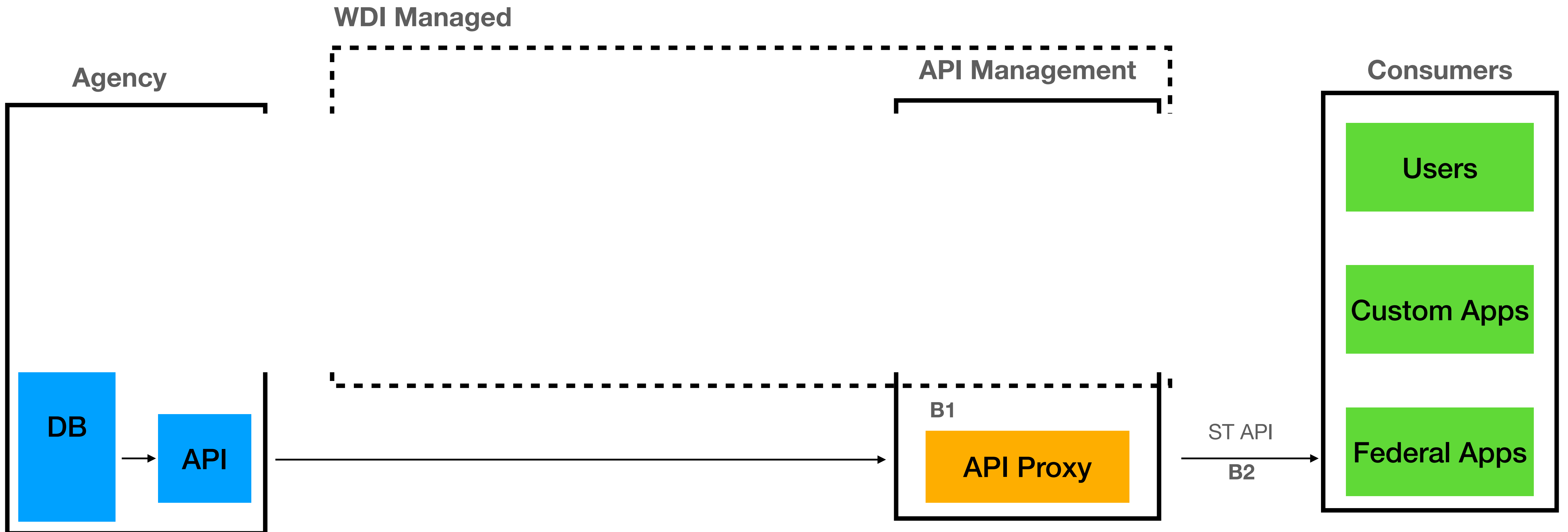
1. Agency provides WDI with a datafile. eg. csv, xls, etc
2. Datafile added to CKAN catalog/“data lake”
3. Datafile is Extracted, Transformed, and Loaded into a SensorThings instance. Accomplished with in-house developed scripts.
4. Users access standardized data via ST API



WDI Pipeline

Options B

- B. Agency serves data via a custom API
1. API is proxied to SensorThings on-the-fly by API management platform
 2. Users access standardized data via ST API



SensorThings Data Model

